

PRO CYCLE PLUNGER



Info@kaizenws.com
1-877-369-8886

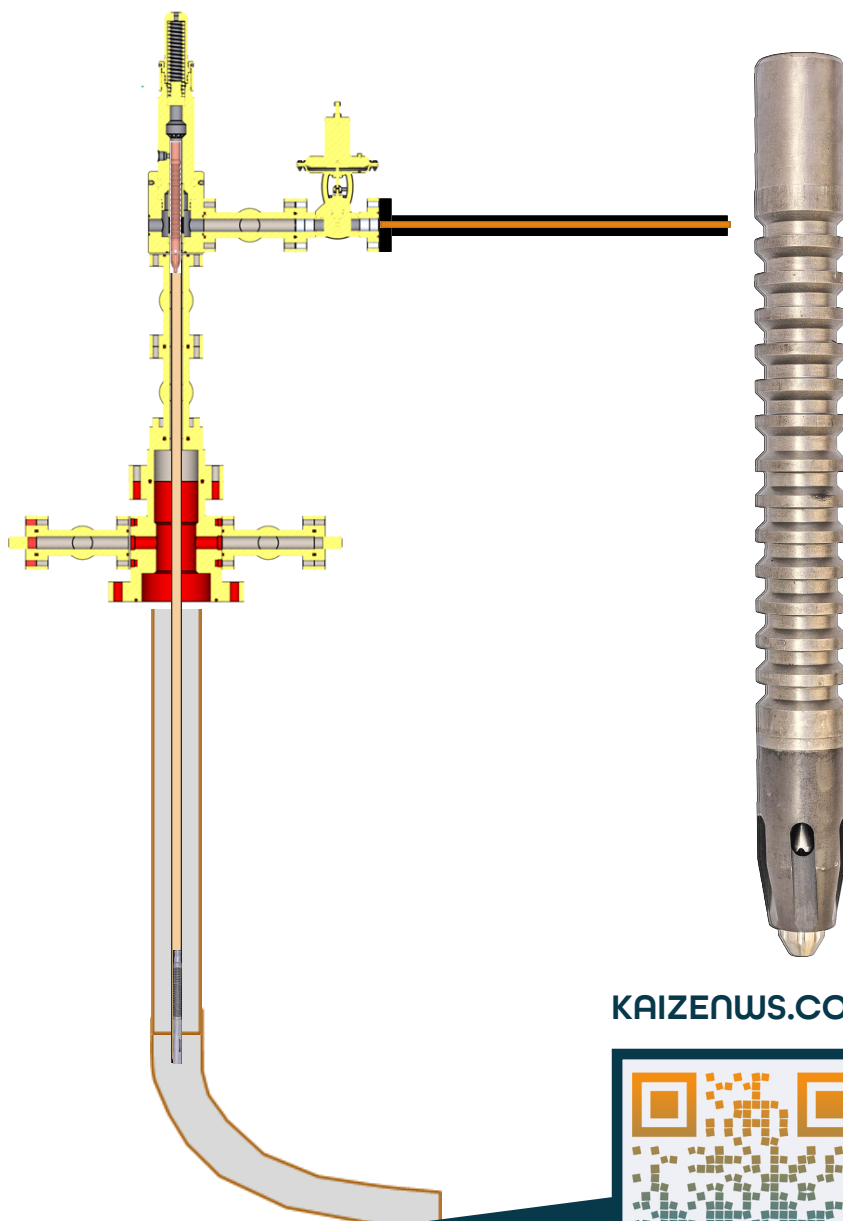
The Pro Cycle Plunger is designed for wells that require short duration shut in times, high daily cycle counts, paraffin control and high liquid volumes. This innovative design allows the plunger to fall against high flow rates. Adaptable to all standard lubricator designs, requires lubricator trip rod and anvil.

APPLICATIONS

Pro Cycle plungers are typically used in wells that can maintain a flowing gas rate less than 125% of well head critical rate or wells requiring short closed time.

Recommended range 60-125% Critical Rate

Flow rate less than 125% of well head critical rate



KAIZENWS.COM



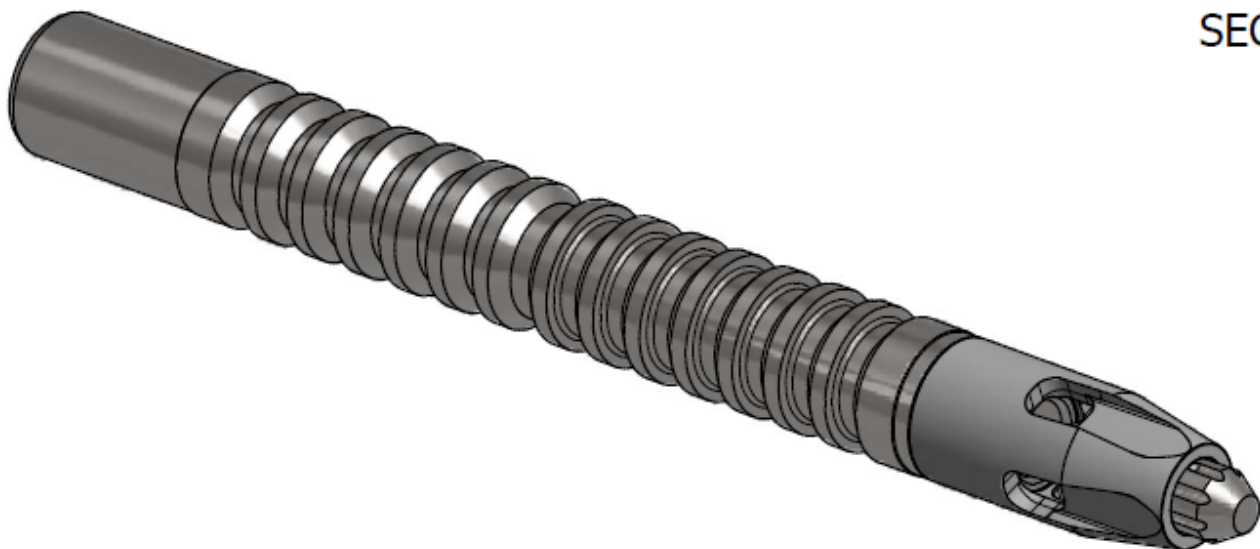
DESIGN

- The Pro Cycle plunger is a quick trip plunger that uses an internal valve to allow a large flow bypass area
- This high-quality plunger is built from high strength 4140 material and can be used in sweet and NACE sour service applications
- The Pro Cycle plunger can be nickel coated for extreme environments to extend wear life and minimize corrosion
- Works in all standard lubricators designs, requires lubricator trip rod and anvil
- Available in 60.3mm, 73mm and 88.9mm size

ADDED FEATURES

- Valve design and flow path allows plunger to self clean in most sand and scale applications
- The valve clutch is designed to last the life of the plunger unlike other plungers in the market
- The valve clutch will not become soft or weak as the valve is shifted during standard operation

KAIZEN PRO CYCLE PLUNGER



SECTION A-A