

PLUNGER LIFT



A variety of products & expertise to support the life of your well

Info@kaizenws.com

1-877-369-8886

KAIZEN WELL SOLUTIONS OFFERS

Comprehensive plunger & gas lift design recommendations & support

Full line of surface & down hole equipment, manufactured for the harshest environments

Extreme sour or sweet applications

North American steel & manufacturing

Service centers in Red Deer, Drumheller, Whitecourt, Grande Prairie & Growing

One-stop shop for all of your oil & gas optimization needs

Experienced technicians that focus maximizing opportunities for every customer



BENEFITS OF PLUNGER LIFT

Handles a variety of gas & fluid volumes

Low cost alternative to pumping

Effective in Vertical, Deviated or Horizontal wells

Helps with paraffin & scale

Works with Gas Lift or Poor Boy Injection (PAGL & GAPL)

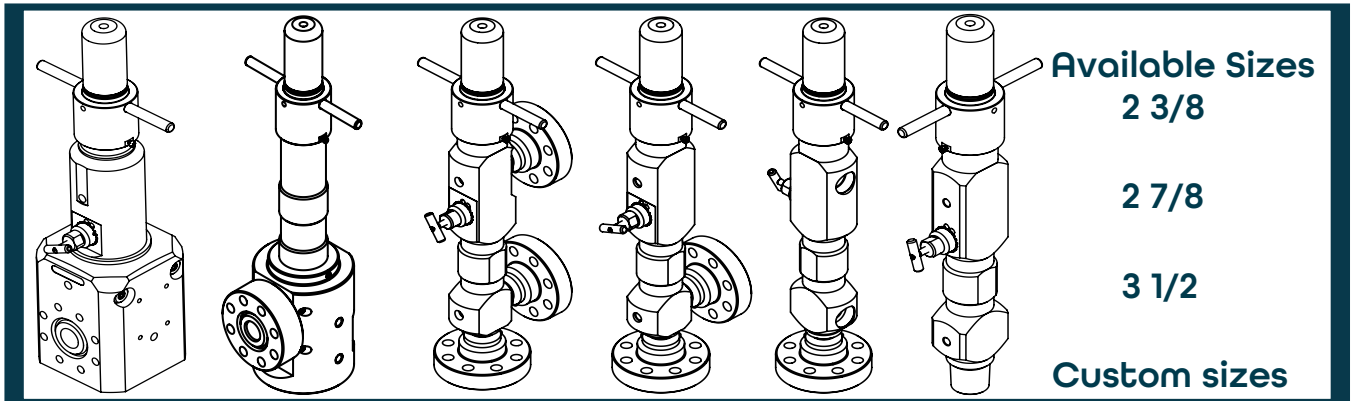
Life of well Installation

KWS works with every company to train and support from the field to the office

KAIZENWS.COM



MULTIPLE LUBRICATOR STYLES & DESIGNS



PLUNGERS & BOTTOM HOLE SPRINGS/HOLD DOWNS



PLUNGER LIFT CONTROLLERS, ARRIVAL SENSORS & WELLHEAD STANDS



Additional specifications available. Please contact Kaizen Well Solutions for more details.